

INGY-MOD17MDALI

Passive Infra Red (PIR) Occupancy Detector & Photocell Module

Input: 12Vdc SELV



PLEASE READ THESE INSTRUCTIONS BEFORE INSTALLING THE PRODUCT

NOTE: This product is only compatible to work with INGY enable equipment.

This INGY-MOD17MDALI module is designed for building into luminaires or it can be mounted onto a Eurodata plate. Configurable via the free to download INGY APP on Google Play or Apple APP Store.

INSTALLATION

To be installed by a competent person with reference to BS 7671 or equivalent local standards. If in doubt consult a qualified electrician.

- A mounting bezel is supplied to enable manufacturers to mount the INGY-MOD17MDALI control unit into a luminaire housing.
- The INGY-MOD17MDALI control unit snap fits into the mounting bezel.
- A 12VDC SELV Power Supply for the (not supplied) INGY-MOD17MDALI device should be connected as shown in diagram 2:

0V Power in (0V).
12V Power in (12V).
Dim + Dimming control out.
Com - Common control out.

OPERATION

To check the operation of the INGY-MOD17MDALI:

- Turn on the supply then after 20 seconds if the sensor has recognised movement of a person within its zone of detection the integral red LED on INGY-MOD17MDALI will stay illuminated for 4 seconds before the red LED turns off.
- Thereafter, every time movement is detected by INGY-MOD17MDALI the integral red LED will stay illuminated for 4 seconds.

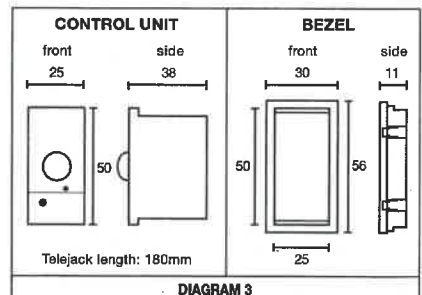
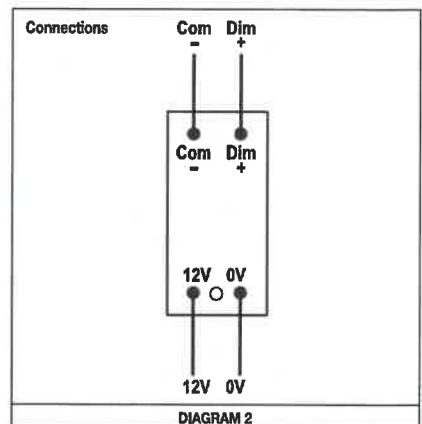
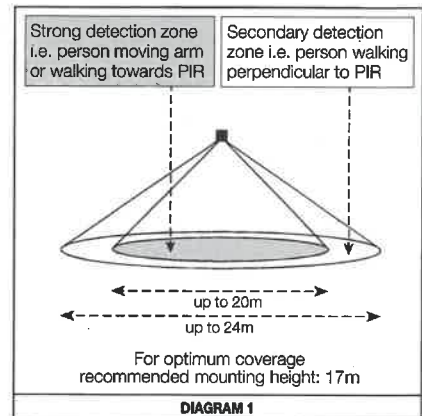
The control also features adjustable time out (time lag) control and daylight threshold control which are configured by the APP.

PRECAUTIONS

- Do not place the INGY-MOD17MDALI near heat sources, fans or in ventilated ceiling voids.
- Do not place close to, or positioned such that, any light source points directly into the INGY-MOD17MDALI.
- Ensure wires and cables are securely held within the connection terminals.
- The INGY-MOD17MDALI should be protected by a suitable mcb or fuse.
- **Disconnect the INGY-MOD17MDALI from the circuit before performing insulation testing of the wiring circuit.**

TECHNICAL DETAILS

INPUT	
Voltage:	12Vdc
Max. mains current:	16mA
Standby current:	12mA
RADIO TRANSCIEVER	
Operating frequencies:	2.4... 2,483 GHz
Max. output power:	+4 dBm
LUX PARAMETERS	
Range:	5 - 2000 lux
OPERATING CONDITIONS	
Note: The temperature difference between the detection target and the background must be at least 4 °C.	
Ambient temperature:	-20... +40 °C (Iout 0.05 A)
Storage temperature:	-25... +75 °C
Max. relative humidity:	0... 80%, non cond.
POWER SUPPLY CONNECTORS	
Terminal block Wire size:	0.5mm ² - 2.5mm ² solid or stranded
Wire strip length:	6-7mm
Tightening torque:	0,4 Nm/4 Kgf.cm
MECHANICAL DATA	
Dimensions:	Control: 25 x 50 x 38mm Bezel: 30 x 56 x 11mm
Weight:	140g (unpacked)
Degree of protection:	IP20
Protection class:	Built-in Class 2
Material (casing)	Flame-retardant polycarbonate
Finish / Colour	Matt /White (RAL 9003)
Protection class:	Built-in Class 2
CONFORMITY AND STANDARDS	
EMC emission:	EN60669-2-1:2004 inc. A12:2010
EMC immunity:	EN60669-2-1:2004 inc. A12:2010
Safety:	EN60669-2-1:2004 inc. A12:2010
Environment:	Complies with WEEE and RoHS directives



5 YEAR WARRANTY

INGY-MOD17MDALI comes with a 5 year warranty from the date of manufacture and is CE marked.



INGY

Strawinskylaan 4117, 1077 ZX Amsterdam, Netherlands

info@ingy.nl

www.ingy.eu

05/01/2021

DAT0096 INGY-MOD17MDALI

