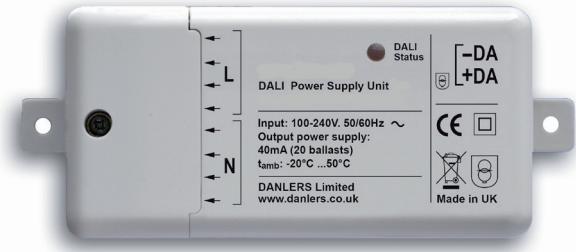


# INGY-DALI20

## DALI Power Supply Unit for use with Ingy controls

Input: 100-240 Vac 50/60Hz



PLEASE READ THESE INSTRUCTIONS BEFORE INSTALLING THE PRODUCT  
NOTE: INGY-DALI20 is only compatible to work with INGY enabled equipment

DALI Power Unit (INGY-DALI20) is designed for use with INGY DALI dimmable devices. Configurable via the free to download INGY APP on Google Play or Apple APP Store.

### INSTALLATION

To be installed by a competent person with reference to BS 7671 or equivalent local standards. If in doubt consult a qualified electrician.

- Plan where the INGY-DALI20 is to be located (see diagram 1). Switch off supply and check for hidden cables and pipes.
- The I should be connected as shown in diagrams 1 and 2:  
L - Live in. N - Neutral in.  
DA1 - DALI (polarity independant)  
DA2 - DALI (polarity independant)

### OPERATION

To control the lighting load (or other connected load) the load must be wired to the INGY-DALI20 as shown in diagrams 1 and 2.

The lighting can then be controlled wirelessly via other INGY enabled controls and configured by the INGY App.

### PRECAUTIONS

- Ensure wires and cables are securely held within the connection terminals.
- Please ensure the most recent edition of the appropriate local wiring regulations are observed and suitable protection is provided e.g. 10 amps over current, 1kV over voltage.
- Disconnect the INGY-DALI20 from the circuit before performing insulation testing of the wiring circuit.**

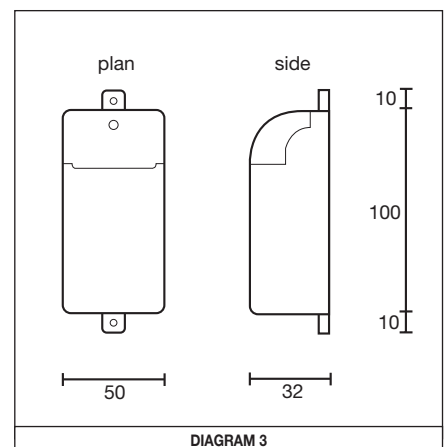
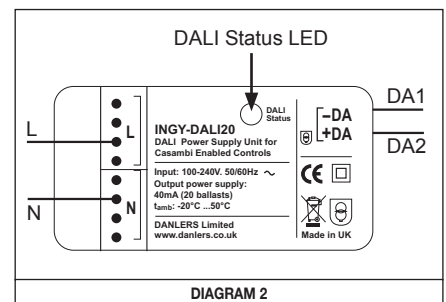
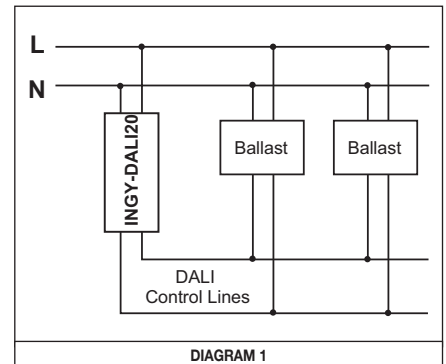
### 5 YEAR WARRANTY

INGY-DALI20 comes with a 5 year warranty from the date of manufacture and is CE marked.



### TECHNICAL DETAILS

INPUT	
Voltage:	100 - 240Vac
Frequency:	50/60Hz
Max. mains current:	20mA
Standby current:	16mA
OUTPUT	
Output:	DALI
Output Current:	40mA (20 ballasts)
RADIO TRANSCEIVER	
Operating frequencies:	2.4... 2,483 GHz
Max. output power:	+4 dBm
OPERATING CONDITIONS	
Ambient temperature:	-20... +50 °C
Storage temperature:	-25... +75 °C
Max. relative humidity:	0... 80%, non cond.
CONNECTORS	
Terminal block Wire size:	0.5mm <sup>2</sup> - 2.5mm <sup>2</sup> solid or stranded
Wire strip length:	6-7mm
Tightening torque:	0,4 Nm/4 Kgf.cm
MECHANICAL DATA	
Dimensions:	120mm x 50mm x 32mm
Weight:	112g (unpacked)
Degree of protection:	IP40
Protection class:	Built-in Class 2
Material (casing)	Flame-retardant polycarbonate
Finish / Colour	Matt /White (RAL 9003)
Protection class:	Built-in Class 2
CONFORMITY AND STANDARDS	
EMC emission:	EN60669-2-1:2004 inc. A12:2010
EMC immunity:	EN60669-2-1:2004 inc. A12:2010
Safety:	EN60669-2-1:2004 inc. A12:2010
Environment:	Complies with WEEE and RoHS directives



DANLERS Limited, Vincients Road, CHIPPENHAM, Wiltshire, SN14 6NQ, UK.  
Telephone: +44 (0)1249 443377 Fax: +44 (0)1249 443388 E-mail: sales@danlers.co.uk  
[www.danlers.co.uk](http://www.danlers.co.uk)

Company Registered Number 2570169 VAT Registration Number 543 5491 38