

INGY-RELAYVF

Volt Free Relay for use with INGY controls

Input: 100-240 Vac 50/60Hz



PLEASE READ THESE INSTRUCTIONS BEFORE INSTALLING THE PRODUCT
NOTE: INGY-RELAYVF is only compatible to work with INGY enabled equipment.

INGY-RELAYVF is designed for use with other INGY enabled controls for switching lighting loads (or other connected loads). Configurable via the free to download INGY APP on Google Play or Apple APP Store.

INSTALLATION

To be installed by a competent person with reference to BS 7671 or equivalent local standards. If in doubt consult a qualified electrician.

- Plan where the INGY-RELAYVF is to be located. Switch off supply and check for hidden cables and pipes.
- The INGY-RELAYVF should be connected as shown in diagram 1:

L - Live in.
N - Neutral in.
N - Neutral in.
COM - Volt free (Common contact).
NC - Volt free (Normally closed contact).
NO - Volt free (Normally open contact).

OPERATION

To control the lighting load (or other connected load) the load must be wired to the INGY-RELAYVF switching relay as shown in diagram 1.

The lighting can then be controlled wirelessly via other INGY enabled controls and configured by the INGY App.

PRECAUTIONS

- Ensure wires and cables are securely held within the connection terminals.
- Please ensure the most recent edition of the appropriate local wiring regulations are observed and suitable protection is provided e.g. 10 amps over current, 1kV over voltage.
- Disconnect the INGY-RELAYVF from the circuit before performing insulation testing of the wiring circuit.**

TECHNICAL DETAILS

INPUT	
Voltage:	100 - 240Vac
Frequency:	50/60Hz
Max. mains current:	16mA
Standby current:	12mA
RADIO TRANSCEIVER	
Operating frequencies:	2.4... 2,483 GHz
Max. output power:	+4 dBm
OPERATING CONDITIONS	
Note: The temperature difference between the detection target and the background must be at least 4 °C.	
Ambient temperature:	-20... +50 °C
Storage temperature:	-25... +75 °C
Max. relative humidity:	0... 80%, non cond.
CONNECTORS	
Terminal block Wire size:	0.5mm ² - 2.5mm ² solid or stranded
Wire strip length:	6-7mm
Tightening torque:	0,4 Nm/4 Kgf.cm
MECHANICAL DATA	
Dimensions:	120mm x 50mm x 32mm
Weight:	115g (unpacked)
Degree of protection:	IP40
Protection class:	Built-in Class 2
Material (casing)	Flame-retardant polycarbonate
Finish / Colour	Matt /White (RAL 9003)
CONFORMITY AND STANDARDS	
EMC emission: EN 301 489-1 V2.2.0, EN 301 489-17 V3.1.1, EN 55032: 2015, EN61000-3-2: 2014, EN61000-3-3: 2013	
EMC immunity: EN 301 489-1 V2.2.0, EN 301 489-17 V3.1.1	
Environment: Complies with WEEE and RoHS directives	

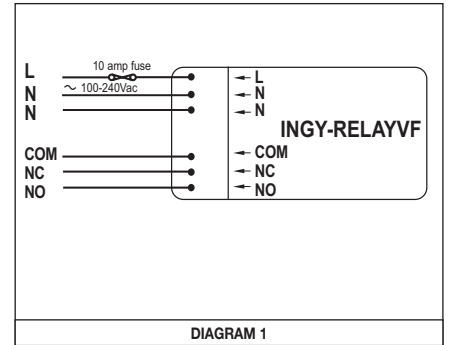


DIAGRAM 1

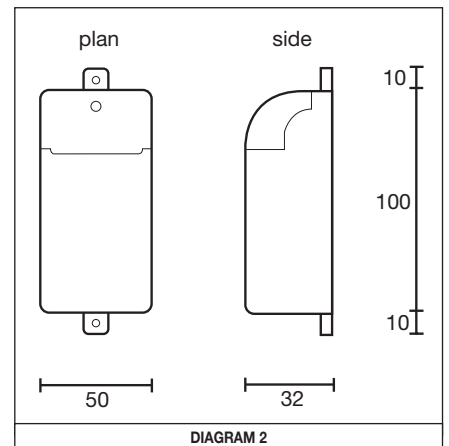


DIAGRAM 2

5 YEAR WARRANTY

INGY-RELAYVF comes with a 5 year warranty from the date of manufacture and is CE marked.



INGY

Strawinskylaan 4117, 1077 ZX Amsterdam, Netherlands
info@ingy.nl

www.ingy.eu

07/08/19

INS437 INGY-RELAYVF

