

Variants

DANLERS design and manufacture other EasyZAPP variants, coded by the following order codes:

EZCESRP Suitable for mains switching
EZCESRPDALI Suitable for DALI ballasts

Troubleshooting

The load will not switch on:

- The LUX setting as specified by the EasyZAPP App is set too low and is inhibiting the switch.
- The moving body is not emitting more IR than the background.
(Person wearing insulating clothing in a warm environment)
- Person is too far from the PIR switch, see detection diagram.
- Person is moving unusually slowly (perhaps when testing).
- The control unit battery is not engaged (ON).
Switch RED dip switch next to the telejack connector on the EZ CESR 10VDC control unit towards the centre of the control (see diagram D).

The load switches on when nobody is present:

- Heater causing infra-red variations in a small cold room.
Resite the EZ CESR 10VDC control away from heater.
- Please contact DANLERS for further technical support.

Precautions and Warranty

This product conforms to BS EN 60669-2-1, BS EN 55015 and BS EN 60730.

Please ensure the most recent edition of the appropriate local wiring regulations are observed and suitable protection is provided (protected with the appropriate MCB) 1kV over voltage. Please ensure that this device is disconnected from the supply if an insulation test is made.

This product is covered by a warranty which extends to 5 years from the date of manufacture.

Products available from DANLERS

- PIR occupancy switches • Daylight linked dimmers • Manual high frequency dimmers
- Photocells • Radio remote controls • Time lag switches • Outdoor security switches
- Dimmers • Heating, ventilation and air-conditioning controls • Bespoke / O.E.M. products

Please call for more information or a free catalogue, or visit our website.

DANLERS Limited, Vincients Road, CHIPPENHAM, Wiltshire, SN14 6NQ, UK.
Telephone: +44 (0)1249 443377 Fax: +44 (0)1249 443388
E-mail: sales@danlers.co.uk Web: www.danlers.co.uk
Company Registered Number 2570169 VAT Registration Number 543 5491 38



DANLERS

Installation notes

EasyZAPP Ceiling flush mounted switches

EZ CESR 10VDC

EasyZAPP ceiling surface passive infra-red occupancy switches can be mounted directly onto solid ceilings or onto a range of different mounting boxes (diagram A).

These PIR switches incorporate a passive infra-red quad sensor to detect movement of a warm body within their detection zone (diagram B) and a photocell to monitor the ambient light level.

Please Note: ALL adjustments are made via a freely downloadable EasyZAPP App available from the DANLERS website. EasyZAPP products cannot be configured by DANLERS ControlZAPP or ScheduleZAPP apps.

If EZ CESR 10VDC is set as PIR with LUX input, upon detecting movement, if the ambient light is dark enough, the EasyZAPP device will turn the load ON. The ambient threshold can be set to between approximately 30 lux to 1000 lux and infinite lux (photocell inactive) via the 'Respond to Daylight' settings on the EasyZAPP App.

If no more movement is detected within a pre-selected time as determined by the EasyZAPP App, then the EasyZAPP device will turn the load off. This 'Time Off Timeout' or time lag can be set via the EasyZAPP App adjuster between 10sec and 23hrs 59min 59sec.

Loading

EZ CESR 10VDC is suitable for switching and dimming 1-10VDC ballasts.

EZ CESR 10VDC can control up to 20mA, eg. 20 ballasts at 1mA (varies according to make and model of ballasts).

EZ CEFL 10VDC can also switch up to:

- 10 amps (3000W) of resistive loads
- 6 amps (1500W) fluorescent lamps, high frequency or switch start, incandescent or mains halogen lamps (recommended with integral safety fuse)
- 3 amps (750W) of electronic or wire wound transformers.
- 2 amps (500W) of low energy lamps: CFL, LED, 2D etc.
- 1 amp (250W) of fans or most metal halide lamps.

Start-up mode and Default settings

When the EZ CESR 10VDC is powered up, it will take 1 minute for the circuitry to stabilise (detection LED flashing) and ensure the output is off, the EZ CESR 10VDC will then enter its Default Operating Mode.

Please Note: When in the Default Operating Mode the EZ CESR 10VDC is set up as an occupancy switch with a 20 minute turn OFF timeout (time lag) and photocell disabled.

Installation procedure

1. Please read these notes carefully before commencing work. In case of doubt please consult a qualified electrician. Ensure wires and cables are securely held within the connection terminals.

IMPORTANT: The EZ CESR 10VDC Control Unit clock battery must be engaged (ON) prior to installation by switching the RED dip switch (see diagram D) to the DOWN position.

2. POSITIONING: The EZ CESR 10VDC switch should be installed to achieve correct coverage of the area, see diagram B. If the photocell override facility (enabled via EasyZAPP app) is required, the switch must be located above an area where daylight can give greater illumination than the artificial light. Avoid locating this product where it is exposed to drafty conditions (exposed lobbies, open ceiling voids or near fans) or near heat sources. To cover large areas PIRs should be spaced in a 5 metre grid formation.
3. Disconnect the EasyZAPP device from the circuit before performing insulation testing of the wiring circuit.
4. Do not connect on a circuit with large inductive loads, as induced spikes may cause false triggering or damage the device.
5. EZ CESR 10VDC must be connected to the ControlZAPP Power Supply (CZPS) via the ControlZAPP communication cable (telejack) provided, for wiring see diagrams C and D.

NOTE: The use of non ControlZAPP connectors may damage the EZ CESR 10VDC or CZPS and will invalidate the warranty).

6. Knockout or drill the appropriate holes on the mounting plate for attaching the plate to the ceiling or back box (if applicable). Feed telejack through the appropriate (side or rear) entry hole. Screw the back mounting plate to the ceiling or back box via the mounting holes. Push the telejack connector into the sensor head terminal. Push the sensor head onto the mounting plate and align the side clips with the slots on the sensor heads.

Settings and calibration

ALL settings are adjusted by EasyZAPP App as detailed in the free to download EasyZAPP App User Guide, including:

Timeout: Adjustable time lag from 10 seconds to 24 hours.

Brightness: Adjustable switching threshold, 30 to 1000 lux and inactive. EZCESRP must be calibrated as instructed on the user guide manual.

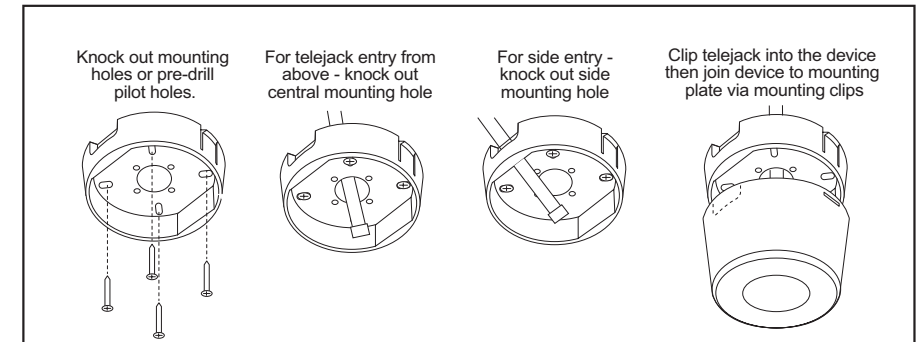
Batch Configure: For configuring multiple EZCESR 10VDC controls with identical settings.

Name: For identifying individual controls.

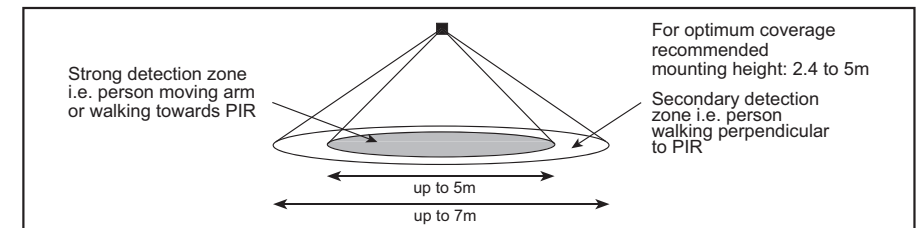
Password: For security against accidental or malicious alteration.

Please visit www.danlars.co.uk to download the EasyZAPP user guide.

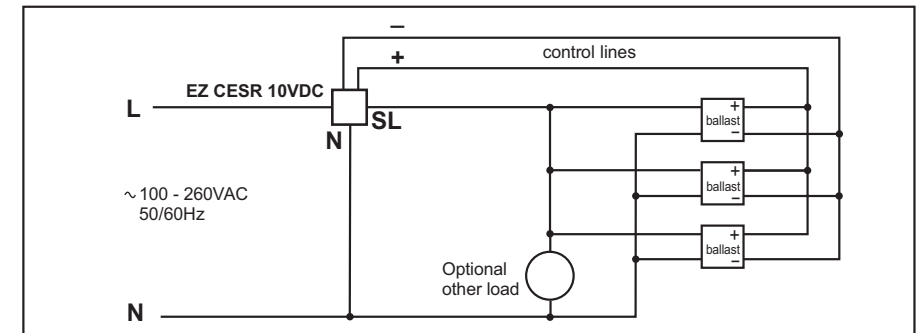
A: Mounting diagram



B: Detection diagram



C: Wiring diagram



D: Connector diagram

